



HEWLETT
PACKARD

STEP ATTENUATORS

FOR OEM & SYSTEM USE
dc to 26.5 GHz

models

HP 33320A/B/G/H
HP 33321A/B/D/G/H/K
HP 33322A/B/G/H
HP 33323K

TECHNICAL DATA 1 MAY 1990



Features:

- Broadband Frequency Coverage (dc-4 GHz, dc-18 GHz, and dc-26.5 GHz)
- Optional Calibration Data
- 0 to 11 dB, 70 dB, 90 dB, 110 dB
- 1 dB Steps, 10 dB Steps
- High Accuracy ($\pm 2\%$ of dB reading to 18 GHz Typical)
- High Repeatability (0.01 dB to 18.0 GHz Typical)
- Manual and Programmable Models
- Environmentally Rugged; Small Size; Low Cost; Long Life

Product Information

General Description

This family of HP step attenuators represents the state-of-the-art in attenuator design. These attenuators offer an unprecedented combination of broadband accuracy, high repeatability, small size, rapid switching, and low cost. They are particularly well suited for controlling the signal levels of microwave sweepers, spectrum analyzers, network analyzers, receivers, and automatic and special test equipment. These attenuators have proven extremely reliable inside Hewlett-Packard's microwave instrumentation as well as a wide variety of other applications. For bench use applications, models HP 8494, HP 8495 and HP 8496 are available in manual and programmable versions. Bench models include a base and the manual model has an indicator dial.

Each attenuator is composed of three or four attenuation sections connected in cascade. Each section (Figure 1) consists of a precision thin-film attenuation card, a lossless thru line, and a ganged pair of contacts that switch the attenuation card in or out. This combination results in high accuracy and exceptional repeatability.

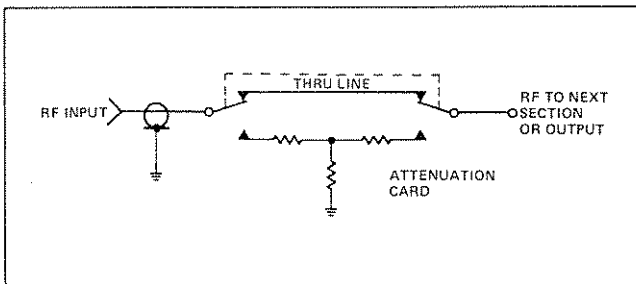


Figure 1. Schematic of Single Attenuator Section.

High Repeatability

Excellent repeatability (typically 0.01 dB to 18 GHz and 0.05 dB to 26.5 GHz for up to five million cycles) has been achieved by employing edge-line design for the transmission line.¹ This construction requires that only the center conductor be switched, thus eliminating the high friction contacts characteristic of turret type attenuators. The resulting benefits are long life and highly repeatable performance.

Reliable Performance

Each unit is tested over its operating frequency range by a computer-controlled HP Automatic Network Analyzer to insure consistent accurate measurements, traceable to the National Institute of Standards and Technology. This measurement system brings standards lab accuracy to production testing and assures that each attenuator meets specifications over the entire frequency range. Calibration data can be provided on request.

¹HP Journal Article, May 1974, p. 21.

Broadband Accuracy and Low SWR

High accuracy (typical $\pm 2\%$ of the dB reading to 18 GHz and $\pm 4\%$ of the dB reading to 26.5 GHz) and low SWR are achieved through the use of miniature thin-film attenuation cards composed of high stability tantalum resistive film on a sapphire substrate. This thin-film technique permits the construction of circuits which are truly distributed and without stray reactances, even at very high microwave frequencies. These precision cards and the cascaded section design provide high step-to-step accuracy, typically better than ± 1 dB to 18 GHz and ± 2 dB to 26.5 GHz for a 10-dB step and ± 0.2 dB for a 1-dB step.

Figures 2 and 3 show the typical performance of the step attenuators as tested on a computer-controlled HP Automatic Network Analyzer. This typical data represents a mean sampling of current production and is given to provide useful applications information. Special selections can be made on request.

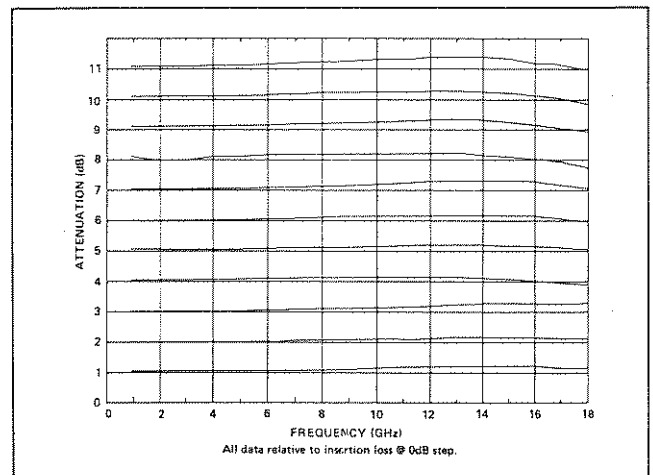


Figure 2. HP 33320B/H Typical Accuracy as Measured on an HP Automatic Network Analyzer.

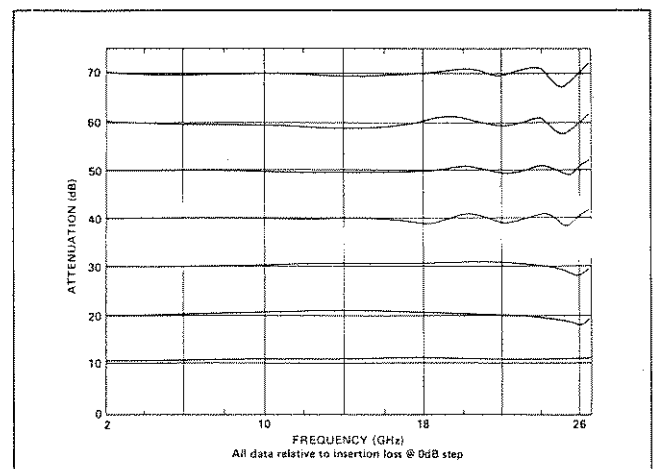


Figure 3. HP 33321 Typical Accuracy as Measured on an HP Automatic Network Analyzer (Band H models operate to 18 GHz, D and K models operate to 26.5 GHz).

Product Information

3.5 mm Connector

The HP 33321D/K and HP 33323K step attenuators use the 3.5 mm connector² which is compatible with the industry standard SMA but is more rugged and offers improved repeatability over hundreds of connections. Use of this connection extends the frequency range to 26.5 GHz.

Environmentally Rugged

HP 33320 Series Attenuators have undergone a very extensive environmental qualification program and have been tested at the extremes of temperature, shock, vibration, and humidity and have proven to be extremely reliable. A summary of the environmental data is given on the specifications page.

²"A High Performance 3.5 mm Connector to 34 GHz," Microwave Journal, July 1976. Also, IEEE Transaction on MTT, December 1976, Volume MTT-24 Number 12, page 995.

Small Size

The small size of these attenuators is an important feature for applications where space is critical. When panel mounted, the manual versions take less than 1.5 square inches of panel area. Since the programmable models are only slightly larger than the manual versions and have the same RF performance, the designer gets more flexibility in providing manual and programmable models of instruments without major redesign.

Low Cost

Utilizing state-of-the-art manufacturing processes, including numerically controlled machining, thin-film deposition, and computer controlled testing, this family of attenuators offers a significant technical contribution at a low cost to the user. In addition, OEM quantity discounts are offered.

Programmable Model Information

Positive Latching Solenoids

In the programmable models, solenoids are used to switch the attenuation card of each section into and out of the circuit. Once switched, the solenoids are held in place by strong permanent magnets able to withstand shocks over 10 G's. Thus, power can be removed without affecting the status of the attenuator sections.

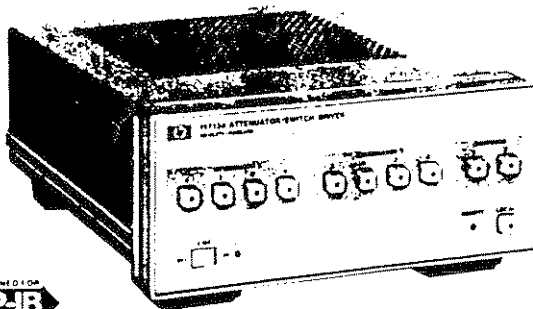
Rapid Switching

Use of miniature solenoids has resulted in more than a two-to-one improvement in switching speed over previous models. The 20 millisecond maximum switching time includes contact settling and is a significant advantage for automatic testing, and other applications where speed is of prime importance.

Low Heat Dissipation

A unique design feature of these attenuators is that the solenoids automatically disconnect after switching. Current is drawn for approximately eight milliseconds during a switching operation, after which internal relay contacts open the solenoid circuit, and current is not drawn again until another switching operation is performed. This automatic turnoff feature greatly simplifies the driver circuit design (Figure 5) and minimizes the amount of heat dissipated by the solenoids, often a critical concern. For example, in an application with 60 switchings a minute, the average power dissipated is less than 0.03 watts.

HP-IB Attenuator/Switch Driver



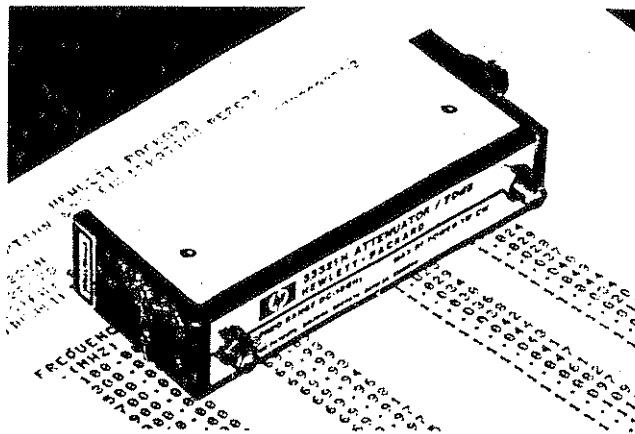
Employing programmable HP step attenuators and switches in an automatic test system becomes an easy task when the HP 11713A Attenuator/Switch Driver is specified into the system.

The HP 11713A has all of the necessary features to provide HP-IB control of up to two programmable attenuators of the HP 33320 Series, and concurrently up to two electromechanical switches (e.g., HP 8671B or HP 33311 series).

The HP 11713A includes an integral power supply (with short circuit protection) that can simultaneously provide 125 milliamps at 24 volts to all contacts for control of the attenuators and switches, so no external power supply is needed. Each HP 11713A is provided with two (2) plug-in drive cables for the programmable attenuators to simplify connection to the driver.

The HP 11713A also features convenient front panel keys so the user can manually activate the individual attenuation sections and switches when in the "local" mode. Switching time for the drivers is less than 10 milliseconds.

Optional Calibration Data for HP 33320 Series Step Attenuators



Use of calibration data (i.e. accurate, recorded data of a device's characteristics) has always been an effective means of reducing measurement uncertainty at RF and microwave frequencies. Now, however, use of calibration data is experiencing rapid growth in test systems because inexpensive calibration data is available. Another key reason for this trend is that automated test systems can easily store and manipulate extensive amounts of the calibration data.

There are three primary uses for optional test data:

1. Accuracy Enhancement

Step attenuators have long been used as reference standards in the measurement of gain, attenuation, and receiver sensitivity. Since the accuracy specifications include margins for frequency response and unit-to-unit variations, calibration data can improve overall measurement uncertainty. In many cases, this improves the reference attenuator's accuracy by 60 percent or more.

2. Test System Verification

Calibration data has an important use in ensuring that a test system is operating properly. As a final step in the verification procedures of the automatic systems by Hewlett-Packard to test microwave devices, a previously calibrated attenuator is tested and compared to the stored data. If the differences are within the system measurement uncertainty, proper operation of the test system is ensured.

3. Implementing Calibration Data in a Computer Program

To integrate the calibration data into an automated measurement program, first set up variables in the computer program that will be loaded with the data. Then measurements can be made at the calibration frequencies after which the calibration data is recalled and used to adjust the measured data or calculate measurement uncertainties.

Data is available on HP 33320 Series Step Attenuators as Option 890 and is generated from measurements made by an Automatic Network Analyzer. Option 890 provides a tabulated list of attenuation and SWRs for each step at 14 to 72 frequencies (see Table 1). Measurements through 50 dB are

directly traceable to NIST standards and feature very low measurement uncertainties (see Tables 2 and 3). Step attenuator data provided from 60 dB to 110 dB is generated by combining the measured data of the individual attenuation sections (e.g. adding the data for the 10, 20, and 40 dB sections to get the 70 dB step data). Option 890 data is available when the attenuators are first purchased and recalibrations are available.

Table 1. HP 33320 Series Calibration Frequencies

Model	Calibration Frequencies
33320A/G 33321A/G 33322A/G	200 to 4000 MHz every 200 MHz (20 frequencies)
35320B/H 33321B/H 33322B/H	200 to 18000 MHz every 200 MHz (90 frequencies)
33321D/K 33323K	1500 to 26500 MHz every 250 MHz (101 frequencies)

Table 2. HP 33320 Series SWR Data Uncertainty

Connector Type	Frequency Range (GHz)	SWR Data Uncertainty	
		Measured SWR 1.0 to 1.35	Measured SWR 1.35 to 1.86
Female SMA	dc to 8.0	±0.054	±0.088
	8.0 to 12.4	±0.077	±0.132
	12.4 to 18.0	±0.122	±0.206
Female APC-3.5	18 to 26.5	±0.045	±0.067

Table 3. HP 33320 Series Attenuation Data Uncertainties

Attenuation (dB)	Attenuation Data Uncertainty (dB)				
	0.1 to 2.0 GHz	2 to 6 GHz	6 to 12.4 GHz	12.4 to 18.0 GHz	18.0 to 26.5 GHz
0/0-4	±0.07	±0.06	±0.06	±0.11	±0.3
5-8	±0.07	±0.07	±0.07	±0.11	—
10/9-11	±0.08	±0.07	±0.07	±0.12	±0.2
20	±0.09	±0.08	±0.08	±0.13	±0.2
30	±0.12	±0.11	±0.11	±0.15	±0.24
40	±0.15	±0.14	±0.14	±0.21	±0.28
50	±0.23	±0.23	±0.23	±0.34	±0.54
60	±0.50*	±0.48*	±0.90*	±0.90*	±1.00*
70	±0.50*	±0.50*	±0.90*	±0.90*	±1.75*
80	±0.50*	±0.50*	±0.90*	±0.90*	±1.80*
90	±0.50*	±0.50*	±0.90*	±0.90*	±1.95*
100	±0.90*	±0.90*	±1.80*	±1.80*	—
110	±0.90*	±0.90*	±1.80*	±1.80*	—

*For step attenuator data from 60 to 110 dB the uncertainties noted represent 99.7% probability values.

Installation Information

Attenuation Section Switching

Figure 4 shows one attenuator section schematic. Each attenuation section utilizes one solenoid with dual coil windings, one coil to switch in the attenuation card (e.g. 10 dB) and one coil to switch in the thru line (0 dB).

With a positive voltage applied to the common pin, the state (attenuation card or 0 dB) of a particular section is determined by connecting its attenuation card pin or thru line pin to a negative voltage or ground. Table 4 defines the pin assignments and the pin configurations are shown on page 8.

As a section is switched, the internal contacts of the activated coil open, thus shutting off current flow. At the same time, the internal contacts for the other coil close so that it can be activated when desired. Figure 5 shows a section that has been switched to the attenuation card position (note the closed thru line coil contact). The switching is "break-before-make" type, thus a momentary interruption of the RF signal occurs at switching.

Although all sections can be switched simultaneously, the attenuator driver must not allow both pins of the same section (e.g. Section 1, pins 5 and 6) to be activated concurrently, or else that section would cycle rapidly. All terminals are "floating", so bipolar or unipolar power supplies can be used.

Typical Driver Circuit

Figure 5 shows an economical TTL compatible driver circuit for a single attenuation section utilizing an IC relay driver and an inverter. A TTL "HI" input to the driver switches in the attenuation card, while a "LO" will activate the thru line for that section. This provides a complementary driver for the section which assures that only one solenoid of the pair is activated at a time. Diode protection is required to protect the IC from the solenoid voltage flyback.

Switch position can be indicated remotely by utilizing the open and closed states of the internal coil contacts. The shaded areas of Figure 5 display two indicator circuits, one providing a

Table 4. Solenoid pin and color code assignment guide.

Section	Section 1		Section 2		Section 3		Section 4	
	Thru Line	Atten. Card	Thru Line	Atten. Card	Thru Line	Atten. Card	Thru Line	Atten. Card
Solenoid Coil ¹								
Cable Wire Color Code ¹	PUR	YEL	BLK	GRN	ORN	BLU	BRN	WHT
Connector Plug Pin Number ²	5	6	7	8	9	10	11	12
Opt.008/016 Ribbon Wire Color Code	BLK	WHT	BLU	ORN	VIO	RED	GRN	YEL
Flat Pack Plug Pin Number ³	13	2	11	5	3	9	4	10
33320G/H (11dB)	0 dB	1 dB	0 dB	2 dB	0 dB	4 dB	0 dB	4 dB
33321G/H (70dB)	0 dB	10 dB	0 dB	20 dB	0 dB	40 dB	*	*
33321K* (70dB)	0 dB	10 dB	0 dB	20 dB	0 dB	20 dB	0 dB	20 dB
33323K* (90dB)	0 dB	10 dB	0 dB	20 dB	0 dB	30 dB	0 dB	30 dB
33322G/H (110dB)	0 dB	10 dB	0 dB	20 dB	0 dB	40 dB	0 dB	40 dB

*Not Used
¹Five-foot cable and mating plug assembly provided.
²Pin 1 (red wire) is common for all coils. Pins 2, 3 and 4 are not used on all models. See connector pin diagram in Figure 7, page 8.
³Pin 6 (brown wire) is common for all coils. Pins 1, 7, 8, 12, and 14 are not used.
⁴See page 6 for recommended switching sequence for the 33321/23K. Also see Figure 8, page 8.

TTL output and one that activates an LED. These circuits will output a TTL 'HI' (LED lamp 'ON') if the attenuation card is in the RF circuit, and will output a TTL 'LO' (LED) lamp 'OFF') if the thru line is in the RF circuit. Since current is drawn through the coil for these circuits, inadvertent switching is prevented by limiting the current to 5 mA.

Hewlett-Packard assumes no responsibility for the use of any circuits described herein and makes no representation or warranties, express or implied, that such circuits are free from patent infringement.

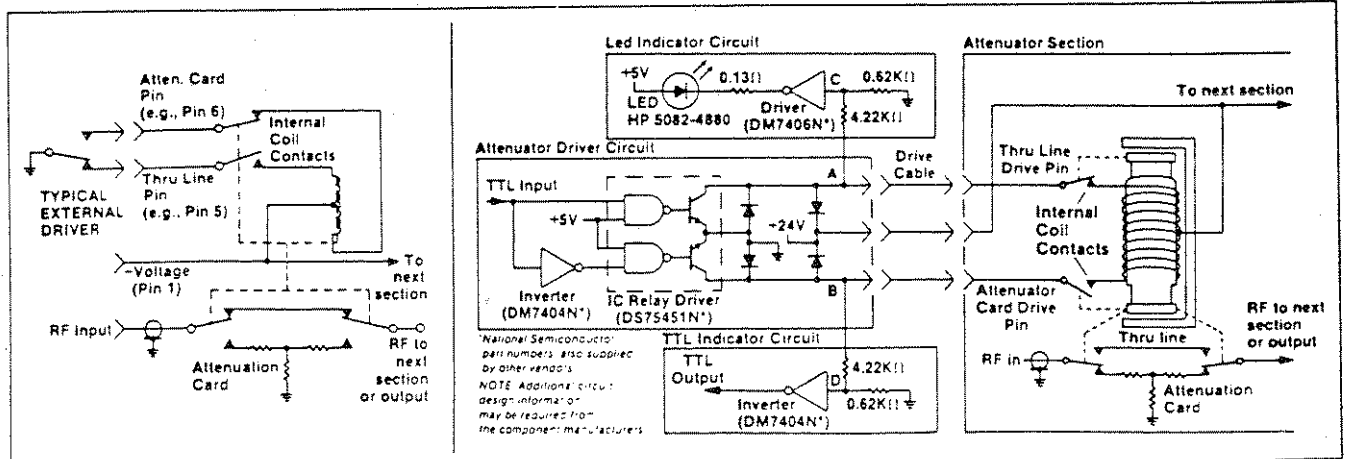


Figure 4. Section electrical diagram.

Figure 5. Driver and indicator circuits for one section of an HP 33320, 1, 2, 3, G/H/K

Specifications

Specifications describe the instrument's warranted performance. Supplemental characteristics are intended to provide information useful in applying the instrument by giving typical, but non-warranted, performance parameters. These are denoted as "typical", "nominal", or "approximate".

Electrical

Attenuation Accuracy (\pm dB Referenced from 0-dB Setting):

HP Models 33320A/B/G/H (11 dB max*)											
Frequency Range	Attenuator Setting (dB)										
	1	2	3	4	5	6	7	8	9	10	11
dc-4 GHz (A,G only)	0.2	0.2	0.3	0.3	0.3	0.3	0.4	0.4	0.4	0.4	0.5
dc-12.4 GHz (B,H only)	0.3	0.3	0.4	0.4	0.5	0.5	0.6	0.6	0.6	0.6	0.7
12.4-18.0 GHz (B,H only)	0.7	0.7	0.7	0.7	0.7	0.8	0.8	0.8	0.8	0.9	0.9

*Typical step-to-step accuracy is \pm 0.2 dB to 18 GHz

HP Model Numbers	33321A/B/G/H (70 dB max*)										
	33322A/B/G/H (110 dB max*)										
Frequency Range	Attenuator Setting (dB)										
	10	20	30	40	50	60	70	80	90	100	110
dc-4 /GHz (A,G only)	0.2	0.4	0.5	0.7	0.8	1.0	1.2	1.3	1.5	1.6	1.8
dc-12.4 GHz (B,H only)	0.5	0.7	0.9	1.2	1.5	1.8	2.1	2.4	2.7	3.0	3.3
12.4-18.0 GHz (B,H only)	0.6	0.8	1.2	1.6	2.0	2.4	2.8	3.2	3.6	4.0	4.4

*Typical step-to-step accuracy is \pm 1 dB to 18 GHz.

HP Model Numbers	33321D/K (70dB max*)									
	33323K (90 dB max*)									
Frequency Range	Attenuation Setting (dB)									
	10	20	30	40	50	60	70	80	90	
dc-6.0 GHz	0.3	0.5	0.6	0.7	0.8	1.0	1.1	1.1	1.2	
6.0-12.4 GHz	0.4	0.5	0.7	0.9	1.0	1.3	1.5	1.6	1.7	
12.4-18.0 GHz	0.5	0.6	0.8	1.1	1.2	1.4	1.7	1.8	2.1	
18.0-26.5 GHz	0.7	0.8	1.0	1.5	1.6	1.9	2.3	2.5	2.8	

*Typical step-to-step accuracy is \pm 0.6 dB to 18 GHz
 \pm 0.9 to 26.5 GHz

To insure warranted specifications for the HP 33321K, and HP 33323K, the following combination of sections is recommended.

Attenuation (dB)	10	20	30	40	50	60	70	80	90
HP 33321K	1	4	1,4	2,4	1,2,4	2,3,4	1,2 3,4	—	—
HP 33323K	1	2	4	1,4	2,4	3,4	1,3,4	2,3,4	1,2 3,4

SWR (Characteristic Impedance: 50 ohms)

HP Model	Frequency (GHz)				
	dc-4	4-8	8-12.4	12.4-18	18-26.5
33320A/G	1.5	—	—	—	—
33322A/G	1.5	—	—	—	—
33320B/H	1.5	1.5	1.6	1.9	—
33322B/H	1.5	1.5	1.6	1.9	—
33321A/G	1.35	—	—	—	—
33321B/H	1.35	1.35	1.5	1.7	—
	dc-6	dc-12.4			
33321D/K	1.25	1.45	1.6	1.8	
33323K	1.25	1.45	1.6	1.8	

Attenuation Temperature Coefficient: Less than 0.0001 dB/dB/ $^{\circ}$ C.

Power Sensitivity: 0.001 dB/watt.

RF Input Power (max.): 1 watt average, 100 watts peak (10 μ s pulse width).

Life, Minimum: 5 million cycles per section.¹

Repeatability: 0.01 dB, typical to 18 GHz, 0.05 dB, typical to 26.5 GHz.

Insertion Loss (0 dB position, f is frequency in GHz):

HP 33320A/B/G/H: $(0.6 + 0.09 \times f)$ dB

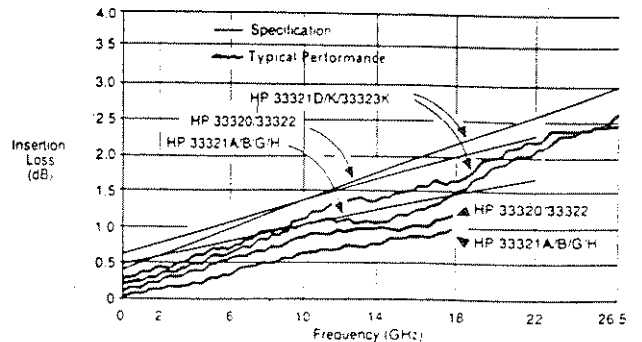
HP 33321A/B/G/H: $(0.4 + 0.07 \times f)$ dB

HP 33321D/K/: $(0.4 + 0.09 \times f)$ dB

HP 33322A/B/G/H: $(0.6 + 0.09 \times f)$ dB

HP-33323K: $(0.4 + 0.09 \times f)$ dB

¹A cycle is defined as switching from the thru-line position to the attenuation card and back to the thru-line position or vice versa.



Specifications

Environmental Capabilities*

Temperature, Operating: -20° to $+75^{\circ}\text{C}$.
 Temperature, Non-Operating: -55°C to $+85^{\circ}\text{C}$.
 Altitude, Operating: 15,000 ft.
 Altitude, Non-operating: 50,000 ft.
 Humidity: Cycling 5 days. 40°C at 95% RH with condensation.

Shock, Operating: 10 g's, 6 ms, on six sides, three blows.
 Shock, Non-operating: 500 g's, 1.8 ms, in 6 directions.
 Vibration, Operating: 5 g's, 34-2000 Hz (for all models except the HP 33321D/K); 0.015 inches DA, 5-55 Hz (for the 33321D/K only).

EMC: radiated interference is within the requirements of MIL-STD-461 method RE02, VDE 0871 and CISPR Publication II.

*Additional environmental data provided on request.

Mechanical

Mounting Position: Any.

Net Weight:

HP 33321 } A/B: 198 grams (7 oz); G/H: 227 grams
 HP 33323 } (8 oz); D: 255 grams (9 oz); K: 284 grams
 (10 oz).
 HP 33320 } A/B: 255 grams (9 oz); G/H 284 grams
 HP 33322 } (10 oz).

RF Connectors: SMA female for HP 33320/1/2
 A/B/G/H. APC-3.5 female (SMA compatible) for
 HP 33321D/K & HP 33323K.

Programmable Models (G, H, K)

Switching Speed: Max. 20 msec including settling time.

Solenoids	Coil Voltage	Switching Current*	Nominal Coil Impedance
Standard (G, H, and K models)	24V (20 - 30V)	125 mA (@ 24V)	190Ω (65 mh)
Option 011 (G & H models plus HP33323K)	5V (4 - 7V)	300 mA (@ 5V)	17Ω (5.5 mh)

*Current per section; approximately 8 msec duration before internal contacts open the coil circuit.

Accessory provided (except Option 008 & 016).

Solenoid drive plug on 5-foot cable included with programmable models. (Replacement plug and cable assembly available as HP Part Number 8120-2178.)

Step Attenuator Selection Guide

To order, basic model number and suffix letter must be specified. The basic model number defines the step size and maximum attenuation value. HP 33320 (1-dB step, 11-dB max.) HP 33321 (10-dB step, 70-dB max.), HP 33322 (10-dB step, 110-dB max.), HP 33323 (10-dB step, 90 dB max.). The suffix letter denotes frequency range and switching mode (manual or programmable); A, B, and D denote dc — 4 GHz, dc — 18 GHz, and dc — 26.5 GHz respectively for the manual models; G, H, and K denote dc — 4 GHz, dc — 18 GHz, and dc — 26.5 GHz respectively for the programmable models. Standard coils are 24 volt, Option 011 specifies 5 volt.

Attenuation Step Size	Attenuation Range	Frequency Range	Switching Mode (Manual or Programmable)	HP Basic Model Number
1 dB	0-11 dB	dc-4 GHz	MAN.	33320A
			PROG.	33320G
		dc-18 GHz	MAN.	33320B
			PROG.	33320H
10 dB	0-70 dB	dc-4 GHz	MAN.	33321A
			PROG.	33321G
		dc-18 GHz	MAN.	33321B
			PROG.	33321H
		dc-26.5 GHz	MAN.	33321D
			PROG.	33321K
	0-90 dB	dc-26.5 GHz	PROG.	33323K
	0-110 dB	dc-4 GHz	MAN.	33322A
			PROG.	33322G
		dc-18 GHz	MAN.	33322B
PROG.			33322H	

Ordering Information

Specify basic model number and suffix, per the table above.

- Option 008:** 8 inch (20.3 cm) ribbon cable with 14 pin flat pack male connector. (See back page.)
- Option 016:** 16 inch (40.6 cm) ribbon cable with 14 pin flat pack male connector (see back page.)
- Option 011:** 5 volt solenoid operation.
- Option 890:** Calibration data:
 4 GHz models: 20 frequencies
 18 GHz models: 90 frequencies
 26.5 GHz models: 101 frequencies

Dimensions

Manual Models

For all manual models a counterclockwise rotation of the shaft increases attenuation. The angular increments are 45° for each step on the 33321A/B/D models and 30° for each step on the 33320A/B and 33322A/B models. The typical torque required for switching is only 0.75 inch-pounds. To insure proper switching, the attenuator shaft should be allowed to seek its own detent.

All models have a mechanical stop that prevents the attenuator knob from being rotated from maximum attenuation to 0 dB in one step. The maximum allowable torque to avoid damaging the stop is 5 inch-pounds.

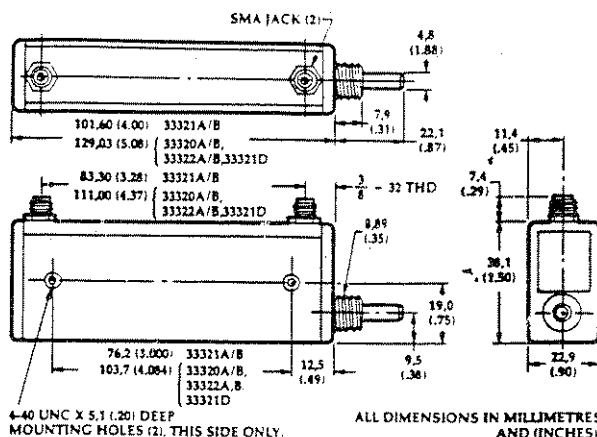


Figure 6. Manual models outline drawing.

Programmable Models

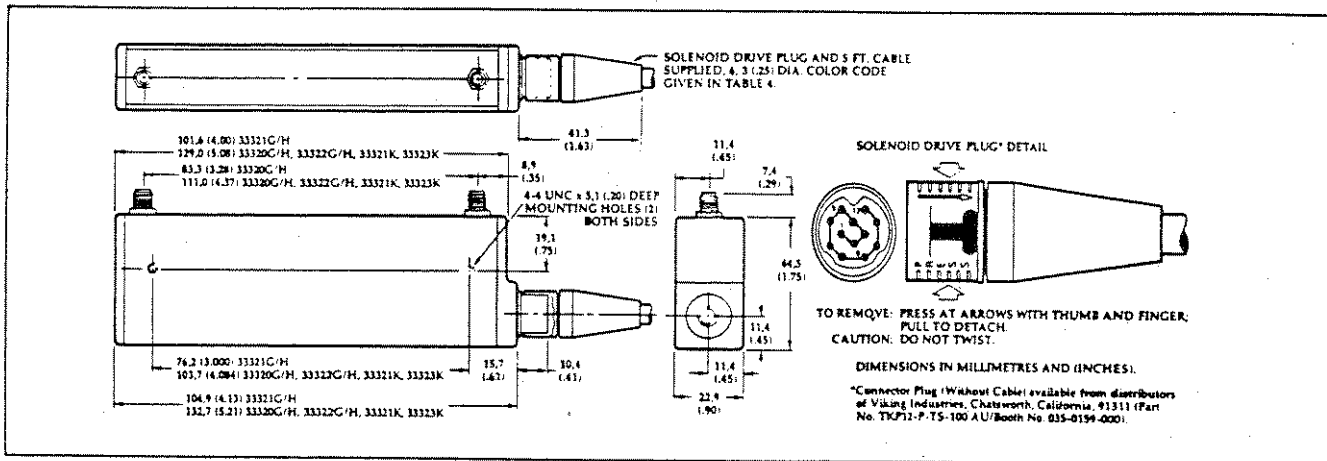


Figure 7. Programmable models outline drawing.

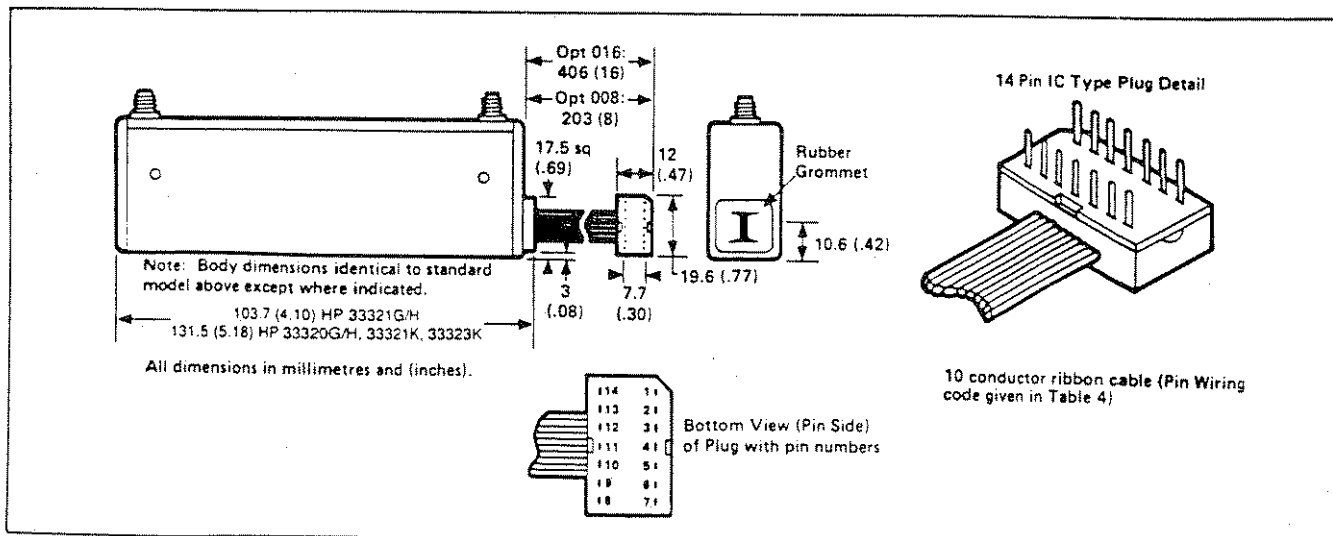


Figure 8. HP 33323K with ribbon cable, Option 008, or 016

For more information, call your local HP sales office listed in the telephone directory white pages. Ask for the Electronic Instruments Department. Or write to Hewlett-Packard, U.S.A. P.O. Box 10301, Palo Alto, CA 94303-0890. Europe — P.O. Box 999, 1180 AZ Amstelveen, the Netherlands. Canada — 6877 Goreway Drive, Mississauga, L4V 1M8, Ontario, Japan — Yokogawa-Hewlett-Packard Ltd., 3-29-21, Takaido-Higashi, Suginami-ku, Tokyo 168. Elsewhere in the world, write to Hewlett-Packard Intercontinental, 3495 Deer Creek Road, Palo Alto, CA 94303-0890.

5959-7857

Printed in U.S.A.

CERTIFICATION

Hewlett-Packard Company certifies that this product met its published specifications at the time of shipment from the factory. Hewlett-Packard further certifies that its calibration measurements are traceable to the United States National Institute of Standards and Technology, (NIST), to the extent allowed by the Institute's calibration facility, and to the calibration facilities of other International Standards Organization members.

WARRANTY

This Hewlett-Packard instrument product is warranted against defects in material and workmanship for a period of two years from date of shipment. During the warranty period, Hewlett-Packard Company will, at its option, either repair or replace products which prove to be defective.

For warranty service or repair, this product must be returned to a service facility designated by HP. Buyer shall prepay shipping charges to HP and HP shall pay shipping charges to return the product to Buyer. However, Buyer shall pay all shipping charges, duties, and taxes for products returned to HP from another country.

HP warrants that its software and firmware designated by HP for use with an instrument will execute its programming instructions when properly installed on that instrument. HP does not warrant that the operation of the instrument, or software, or firmware will be uninterrupted or error free.

LIMITATION OF WARRANTY

The foregoing warranty shall not apply to defects resulting from improper or inadequate maintenance by Buyer, Buyer-supplied software or interfacing, unauthorized modification or misuse, operation outside of the environmental specifications for the product, or improper site preparation or maintenance.

NO OTHER WARRANTY IS EXPRESSED OR IMPLIED. HP SPECIFICALLY DISCLAIMS THE IMPLIED WARRANTIES OF MERCHANTABILITY AND FITNESS FOR A PARTICULAR PURPOSE.

EXCLUSIVE REMEDIES

THE REMEDIES PROVIDED HEREIN ARE BUYER'S SOLE AND EXCLUSIVE REMEDIES. HP SHALL NOT BE LIABLE FOR ANY DIRECT, INDIRECT, SPECIAL, INCIDENTAL, OR CONSEQUENTIAL DAMAGES, WHETHER BASED ON CONTRACT, TORT, OR ANY OTHER LEGAL THEORY.

ASSISTANCE

Product maintenance agreements and other customer assistance agreements are available for Hewlett-Packard products.

HEWLETT-PACKARD SERVICE OFFICES

To obtain servicing information, contact the nearest Hewlett-Packard Sales and Service Office in the HP Catalog, or contact the nearest regional office listed below.

EUROPEAN MULTICOUNTRY

(Scandinavia, Middle East, Africa, Eastern Europe)
Hewlett-Packard S.A.
150, route du Nant-d'Avril
P.O. Box 1217 Meyrin
2/Geneva, Switzerland
Tel: (41/22) 780.8111
Fax: (41/42) 780.8609

FRANCE

Hewlett-Packard France
Parc d'Activite du Bois Briard
2, avenue du Lac
91040 Evry Cedex
France
Tel: (33/1) 69 91 80 00
Fax: (33/1) 69 91 84 32

GERMANY

Hewlett-Packard GmbH
Herrenberger Strasse 130
D-7030 Böblingen
West Germany
Tel: (49/7031) 14-0
Fax: (49/7031) 14-2999

ITALY

Hewlett-Packard Italiana S.p.A.
Via Giuseppe di Vittorio, 9
20063 Cernusco sul Naviglio
Milan, Italy
Tel: (39/2) 921 001
Fax: (39/2) 921 044 73

UNITED KINGDOM

Hewlett-Packard Ltd.
Nine Mile Ride
Wokingham Berkshire RG11 3LL
England
Tel: (44/344) 773100
Fax: (44/344) 763526

AUSTRALASIA REGION

Hewlett-Packard Australia Ltd.
31-41 Joseph Street
Blackburn, Victoria 3130
Australia
Tel: (61/3) 895-2895
Fax: (61/3) 898-7631

CANADA

Hewlett-Packard (Canada) Ltd.
6877 Goreway Drive
Mississauga, Ontario L4V 1M8
Canada
Tel: (1/416) 678-9430
Fax: (1/416) 678-9421

FAR EAST REGION

Hewlett-Packard Asia Ltd.
22nd Floor, West Tower, Bond Centre
49 Queenway, Central
Hong Kong
Tel: (852) 848-7777
Fax: (852) 868-4997

JAPAN

Yokogawa-Hewlett-Packard Ltd.
3-29-21, Takaido-Higashi
Suginami-Ku, Tokyo 168
Japan
Tel: (81/3) 331-6111
Fax: (81/3) 331-6631

LATIN AMERICA REGION

HP Mexico, S.A. de C.V.
Monte Pelvoux No. 111—2nd Floor
Fracc. Lomas de Virreyes
11000 Distrito Federal
Mexico
Tel: (52/5) 202 01 55
Fax: (52/5) 540 42 08

EASTERN U.S.A. REGION

Hewlett-Packard Company
4 Choke Cherry Road
Rockville, MD 20850
U.S.A.
Tel: (1/301) 670-4300
Fax: (1/301) 670-4531

MIDWEST U.S.A. REGION

Hewlett-Packard Company
5201 Tollview Drive
Rolling Meadows, IL 60008
U.S.A.
Tel: (1/708) 255-9800
Fax: (1/708) 259-4995

SOUTHERN U.S.A. REGION

Hewlett-Packard Company
2015 South Park Place
Atlanta, GA 30339
U.S.A.
Tel: (1/404) 955-1500
Fax: (1/404) 980-7669

WESTERN U.S.A. REGION

Hewlett-Packard Company
5161 Lankershim Blvd.
N. Hollywood, CA 91601-3794
U.S.A.
Tel: (1/818) 505-5600
Fax: (1/818) 505-5875

OTHER INTERNATIONAL AREAS

Hewlett-Packard Company
3495 Deercreek Road
Palo Alto, CA 94304-1316
U.S.A.
Tel: (1/415) 657-5027
Fax: (1/415) 657-7045

